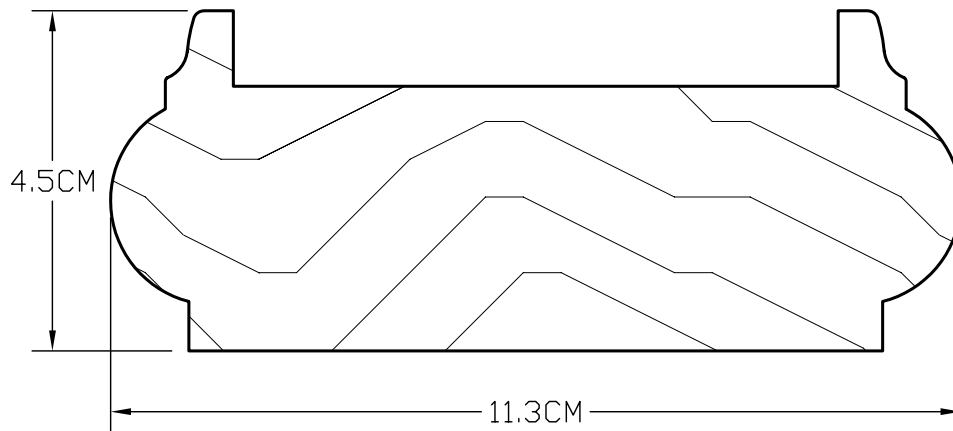
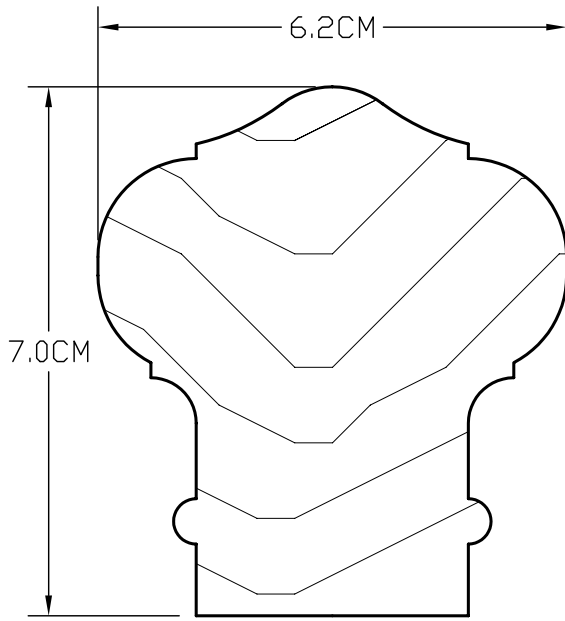
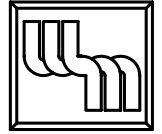


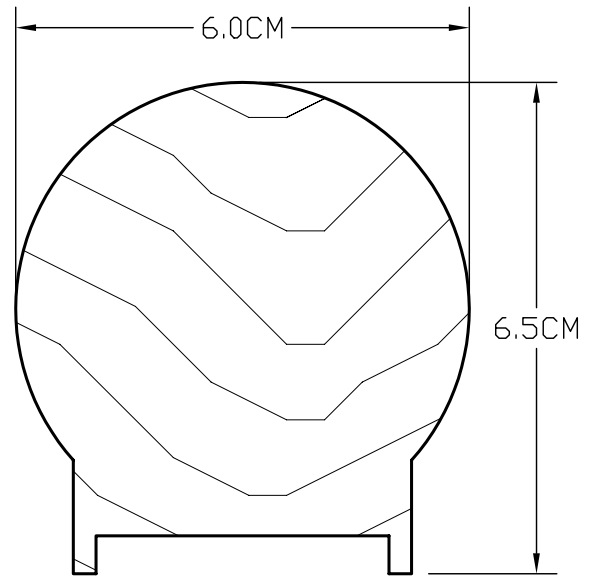
229HR
(2S-1T-229)



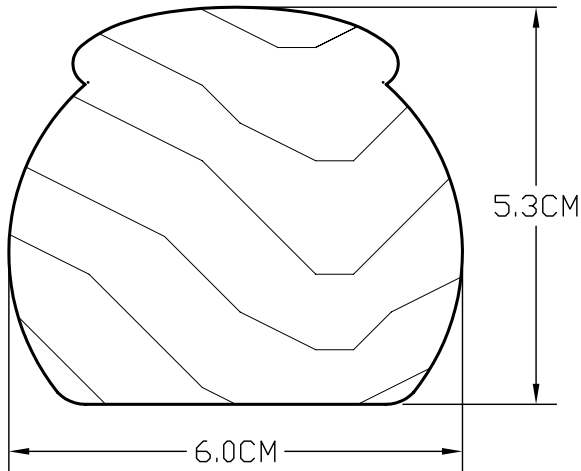
230HR
(2S-230)



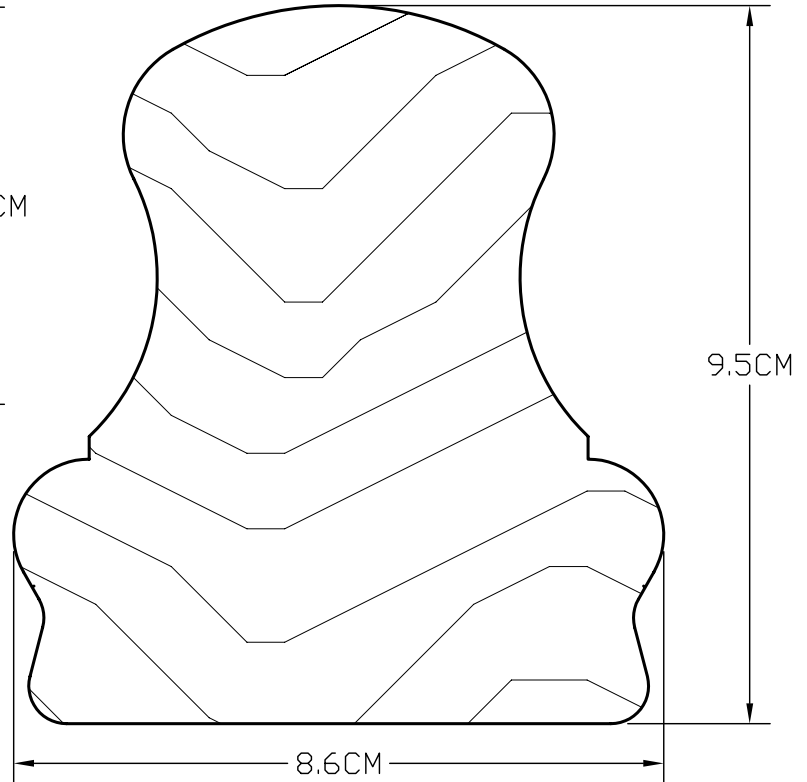
254HR
(2S-1T-254)



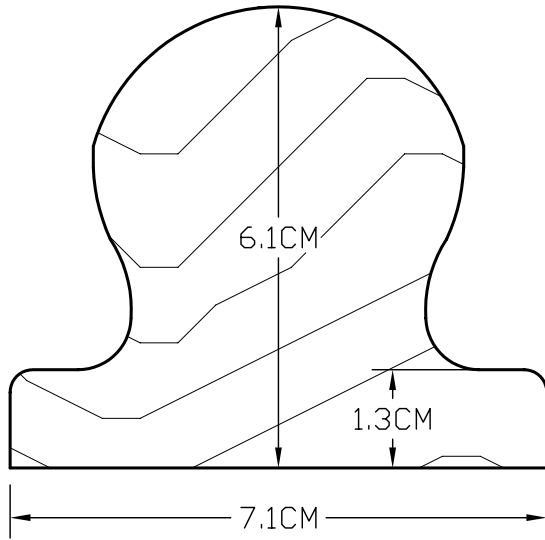
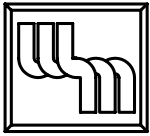
202HR
(2S-1T-202)



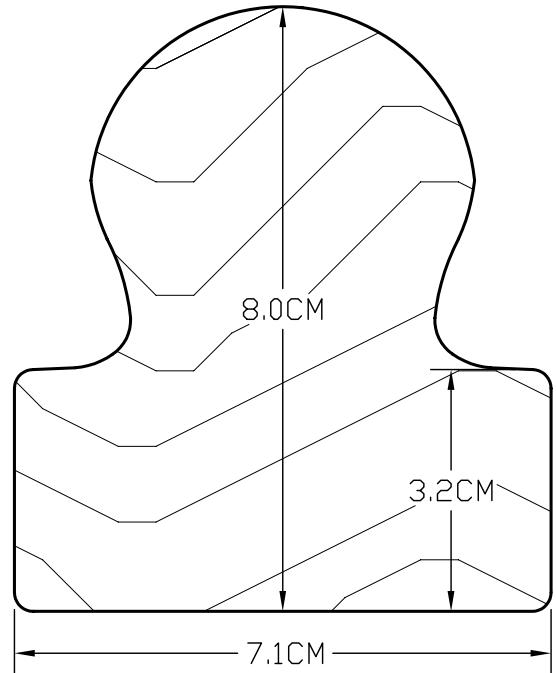
140HR
(2S-140)



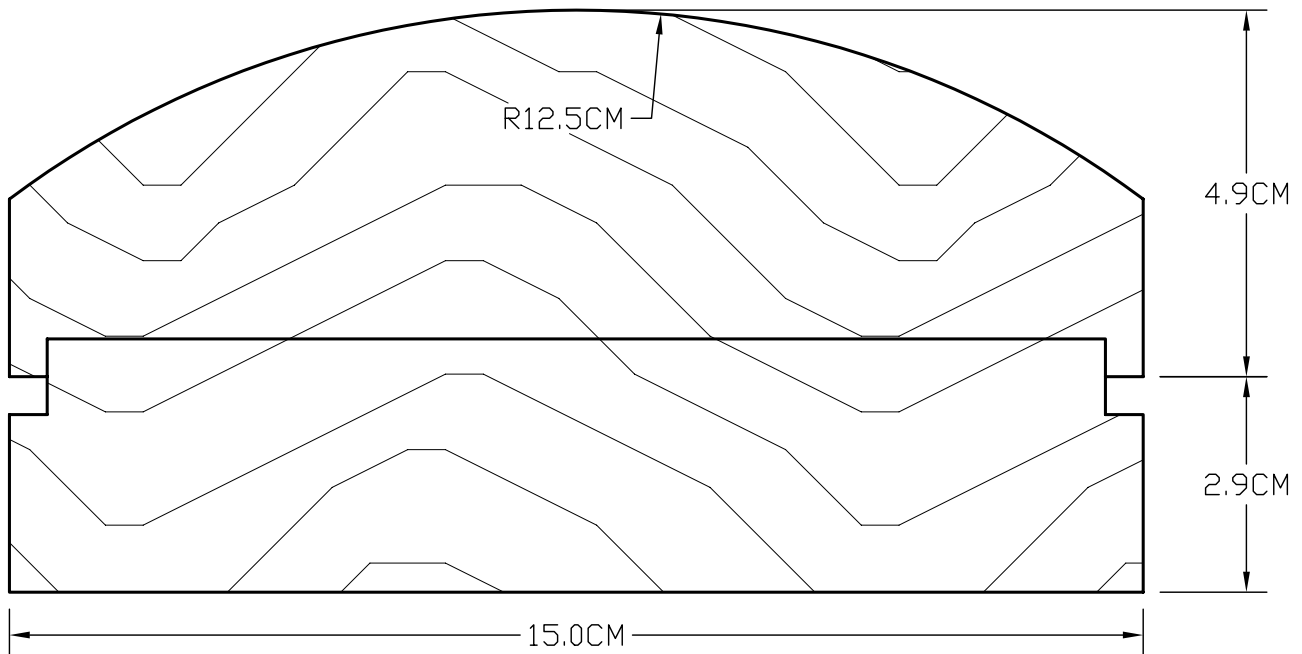
201HR
(2S-1T-201)



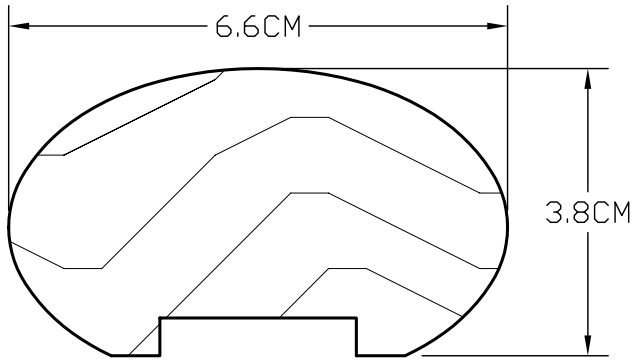
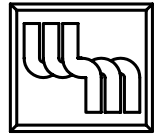
017AHR
(2S-1T-017A)
(2S-1T-1B-017C SIM.)



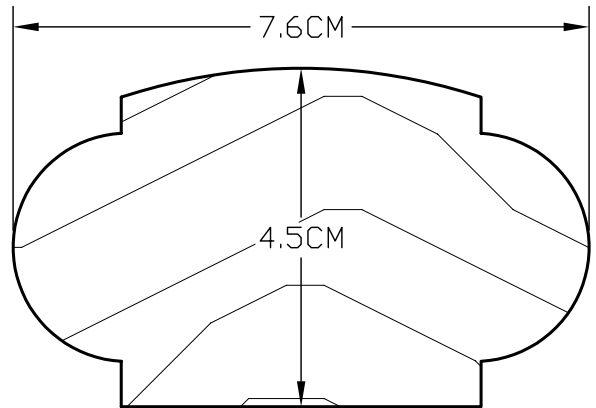
017HR
(2S-1T-017)
(2S-017B SIM.)



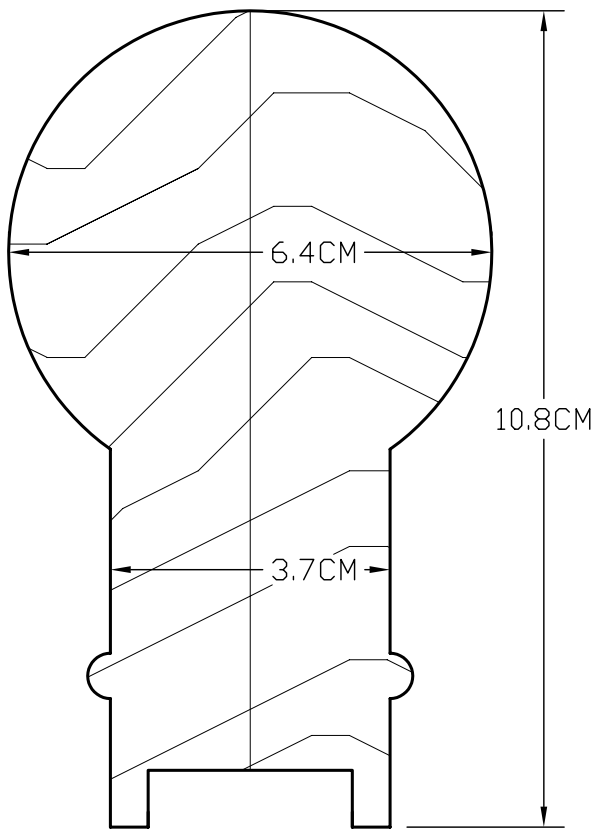
145HR
(1T-1B-145)



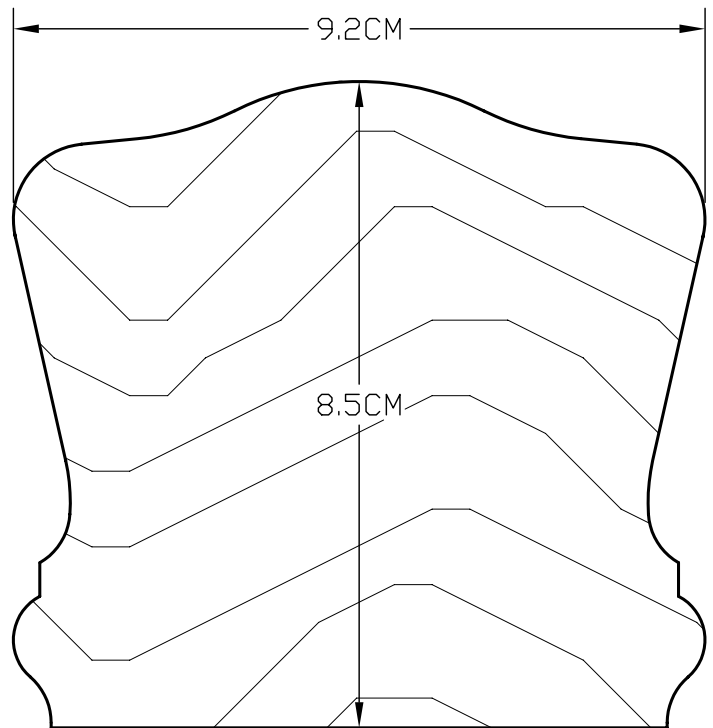
300HR
(2S-1T-300)
(MATCHING ROUTER BIT)



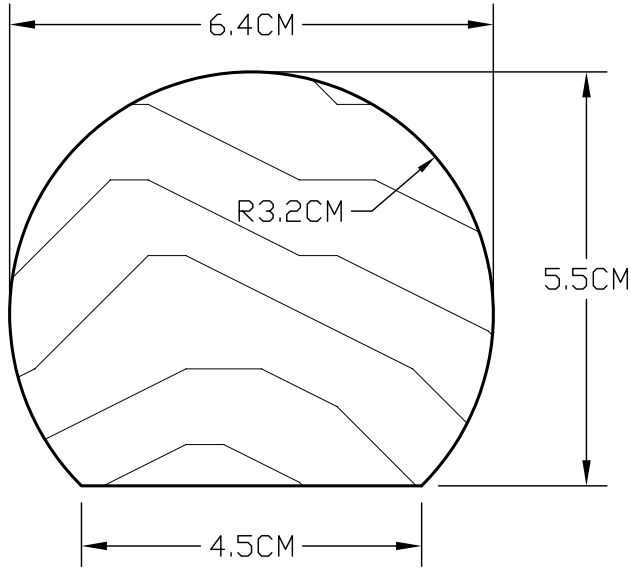
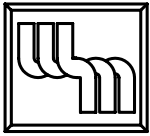
305HR
(2S-1T-305)



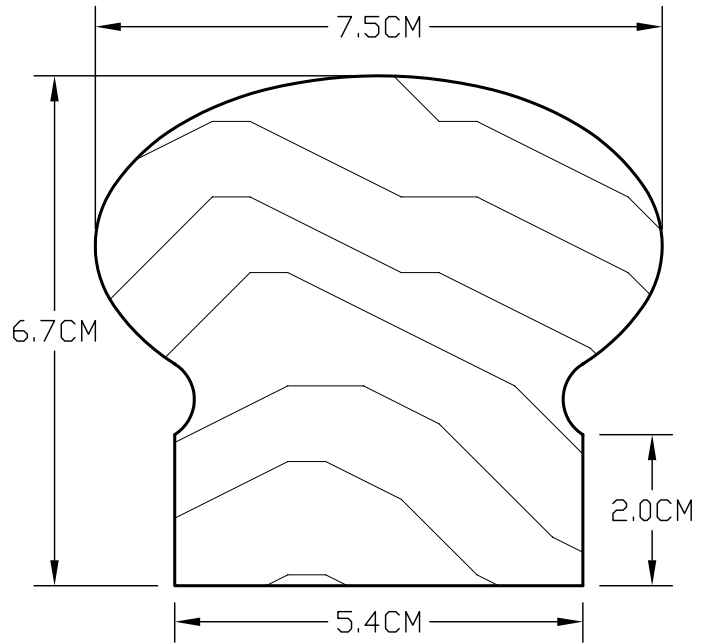
301HR
(2S-1T-301)



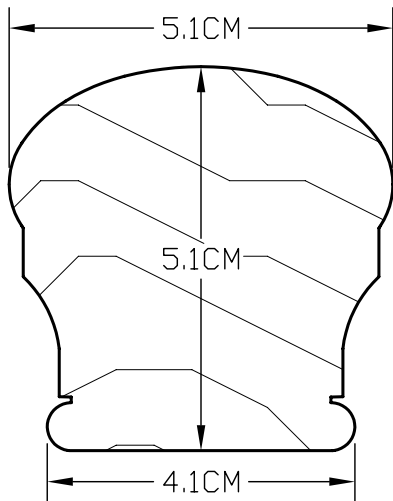
308HR
(2S-1T-308)



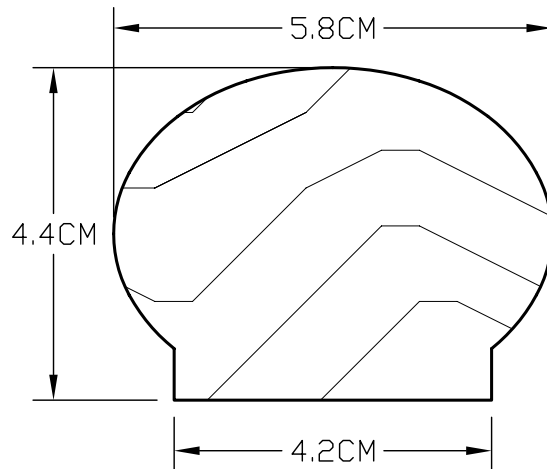
322HR
(2S-1T-322)



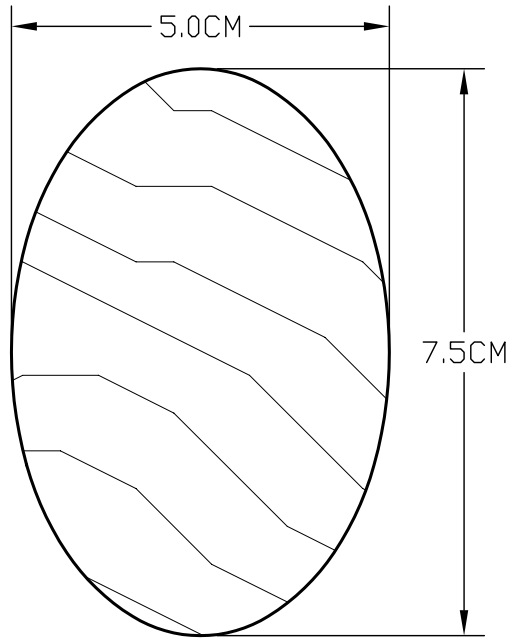
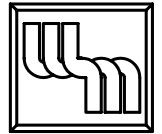
365HR
(2S-1T-365)
MATCHING ROUTER BITS



374HR
(2S-1T-374)
MATCHING ROUTER BITS

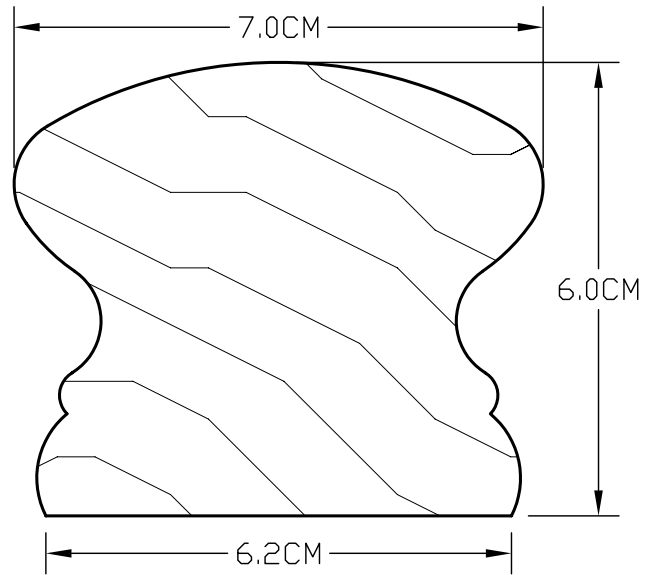


388HR
(2S-1T-388)

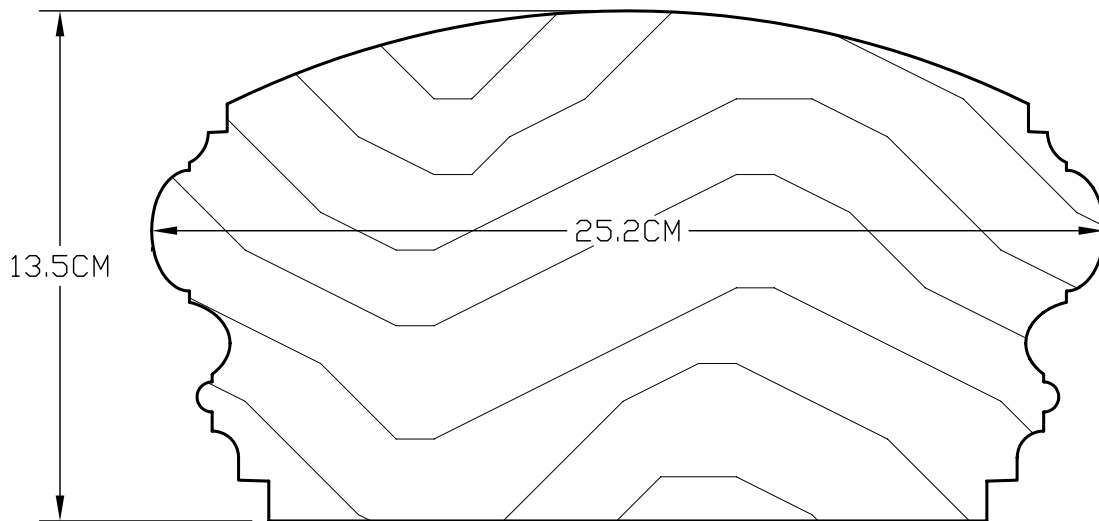


392HR
(2S-1T-1B-392)

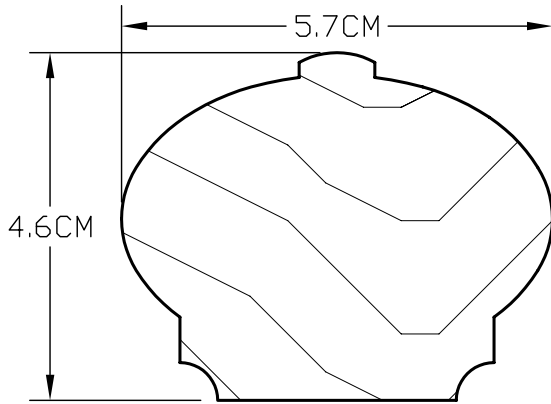
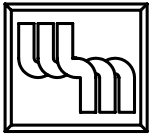
394M
(1S-394)
SHAPER COPE
FOR HNDRL



424HR
(2S-1T-424)
MATCHING ROUTER BITS



405HR
(2S-1T-405)
HALF SCALE



471HR
(2S-1T-471)
MATCHING ROUTER BITS